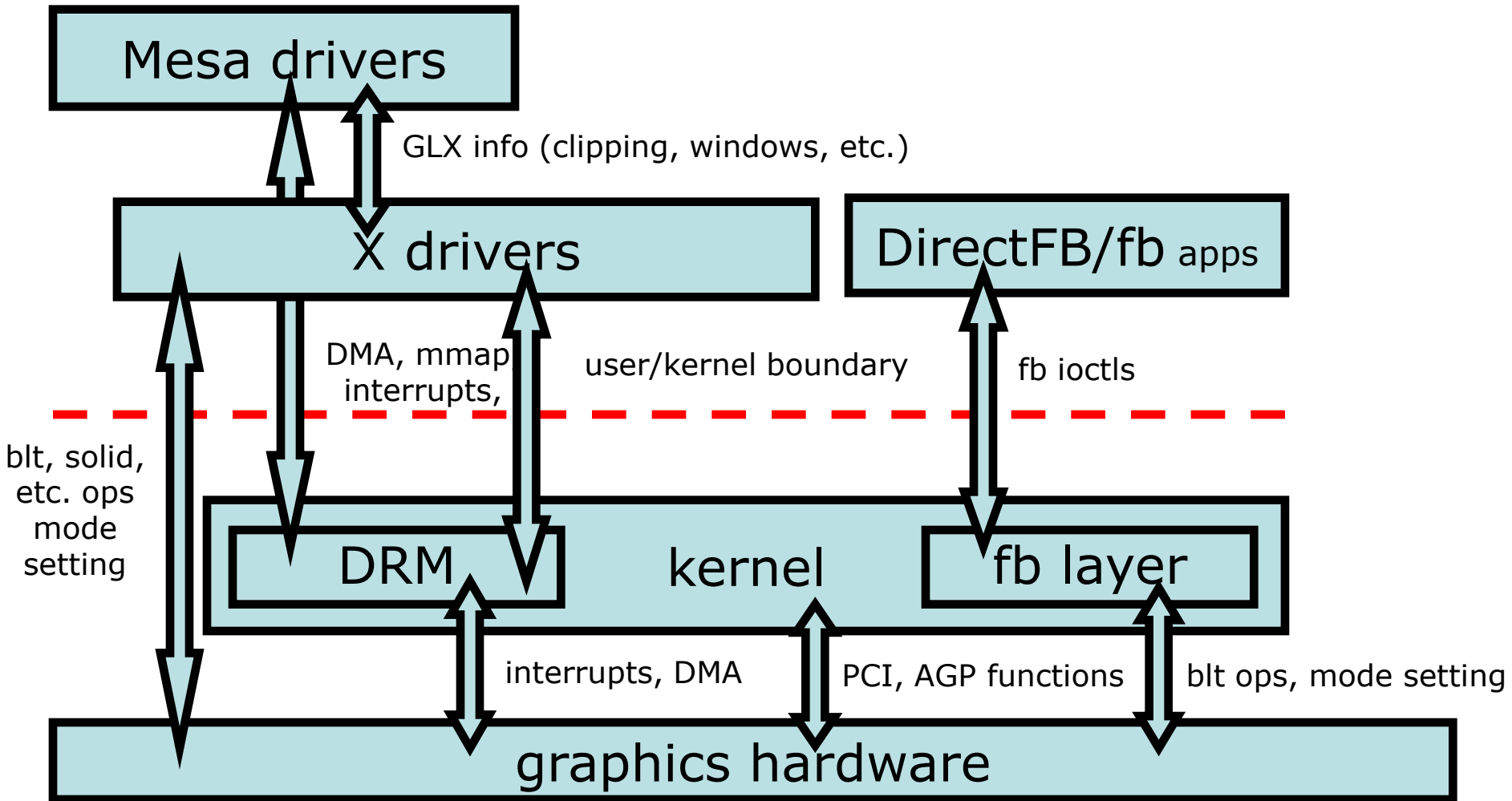
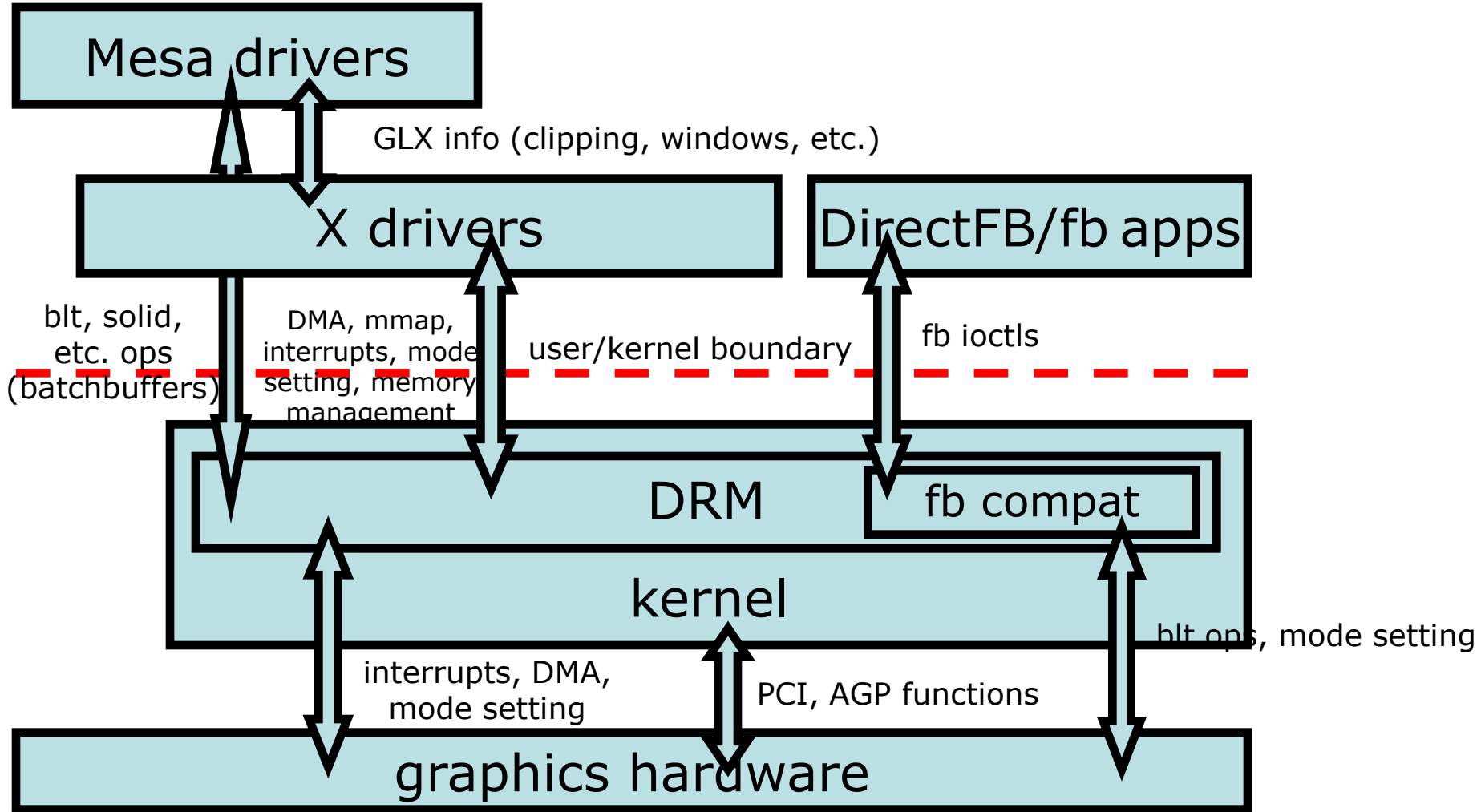


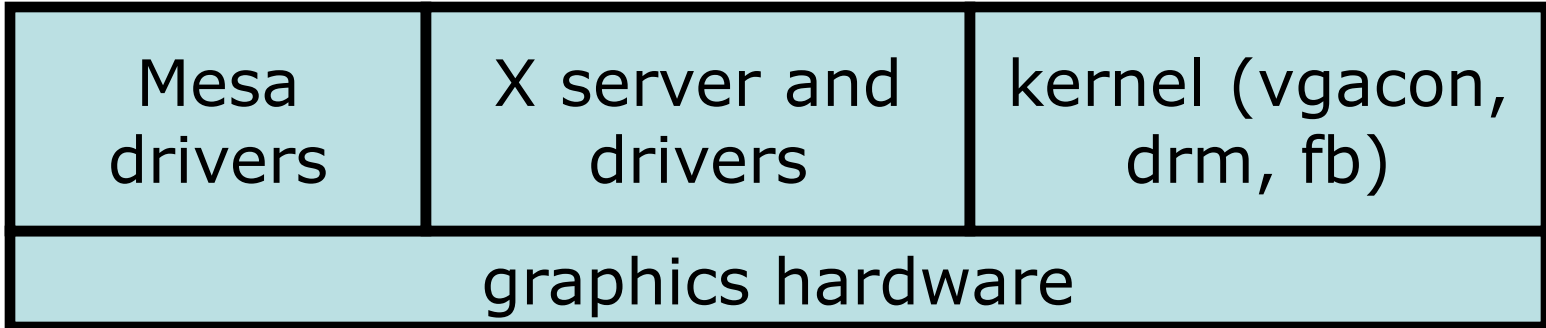
# Old Architecture



# New Architecture

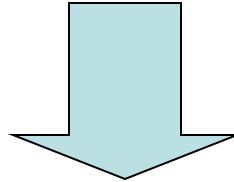


# Comparison (simplified)



Two years of effort:

- GEM for memory management/execution
- KMS for output control in-kernel
- get everything but the kernel off the hardware!



Allows for advanced technologies:

- non-X display managers
- GL TFP and FBO features
- NRX

